

Knob model UEK 300 by KARCHER DESIGN

Knob sets for standard duty for residential interior use and light duty for commercial interior use.

Standard Features:

- 3 piece solid fixing rose \varnothing 2 5/8" (67mm) which allows concealed fixing suits standard door prep 2 1/8" (54mm).
- With nylon floating bearing and heavy duty bolt through fixing prevents lock chassis rotations
- Knob diameter: 2" (51mm)
- Door range:
Passage-Version 1 1/4" (31mm) – 2" (51mm) standard
Privacy-Version 1 1/4" (31mm) – 1 3/4" (44,5mm) standard.
Privacy must not be used for doors thicker than 1 3/4" (44,5mm)
- Backset: 2 3/8" - (60 mm) backset latch standard.
- Stainless steel T-strike plate with plastic dust cover
- Stainless steel latch face plate

Options:

PAS - passage latch, backset 2 3/8" (60mm) and T-strike plate

PRI – privacy latch backset 2 3/8" (60mm) and T-strike plate

DUM – Full Dummy

DUML – Half Dummy Left

DUMR- Half Dummy Right

Special options (to be ordered separately)

UZA2570 PAS – Passage Latch with backset 2 3/4" (70mm)

UZA2500 LS – Full Lip strike

UZUL P67 – UL-Latch passage only

UEDB 71 – Matching keyed deadbolt, door thickness 2 1/8" (55mm) and 2 9/16" (65mm)

UEZ D1 71 – Matching distance ring for deadbolt, door thickness 1 3/8" (35mm) and 1 3/4" (45mm)

Finish: satin stainless steel (finish code 71)

Karcher article no.:

UEK300 PAS 71 – with passage latch, backset 2 3/8" (60mm) and T-strike plate

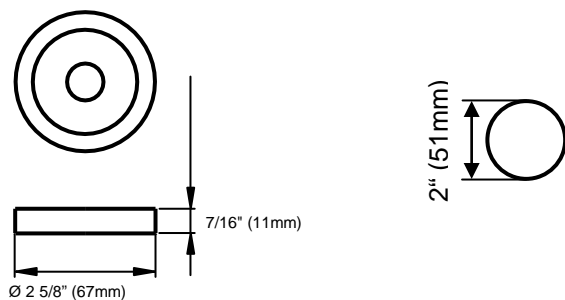
UEK300 PRI 71 – with privacy latch, backset 2 3/8" (60mm) and T-strike plate

UEK300 DUM 71 – full dummy

UEK300 DUML 71 – half dummy left

UEK300 DUMR 71 – half dummy right

Dimensional Detail



Entrance Handle Sets on plate with a single cylinder UEL 71

By KARCHER DESIGN

- UEL Design harmonized with the US-Latch sets
- Lever model: Can be provided with lever models (ER20-ER84)
- Dimensions: 9 7/8" x 2 3/8" x 1/2" (250 x 60 x 12mm)
- Center to center Distance 5 1/2" (140mm)
- Standard 2 1/8" door prep
- Standard door thickness 2 1/8" (55mm) and 2 9/16" (65mm)
- Distance ring (UZ D2 71) required for 1 3/8" (35mm) to 1 3/4" (45mm)
- Passage latch with standard Backset 2 3/8" (60mm)
- Dead bolt latch: adjustable with a backset of 2 3/8" (60 mm) and 2 3/4" - (70 mm)
- Solid Brass Cylinder with 5 pins and C keyway
- Stainless steel T-strike plate with plastic dust cover
- Stainless steel strike plate with plastic cover
- Stainless steel latch face plate

Special options

- UEZ D2 71 (Distance Ring): For door thickness 1 3/8" - 1 3/4" (35 - 45 mm) a distance ring is required
- UZ2500 LS 71 Full Lip strike
- UZ2570 Passage Latch with 2 3/4" (70mm) backset

Finish: satin stainless steel (finish code 71)
satin / polished stainless steel (finish code 73)

Karcher article no.:

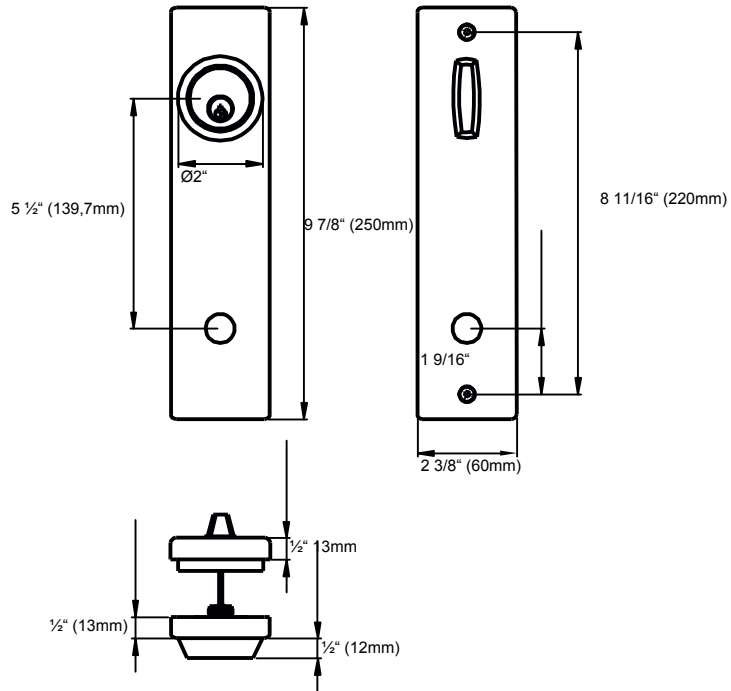
Finish: Satin stainless steel

UEL 20 LA 71: Entrance set with lever Kos	UEL 21 LA 71: Entrance set with lever Manhattan
UEL 22 LA 71: Entrance set with lever Elba	UEL 24 LA 71: Entrance set with lever Corfu
UEL 25 LA 71: Entrance set with lever Malta	UEL 26 LA 71: Entrance set with lever Sylt
UEL 27 LA 71: Entrance set with lever Crete	UEL 28 LA 71: Entrance set with lever Rhodos
UEL 29 LA 71: Entrance set with lever Cyprus	UEL 30 LA 71: Entrance set with lever Corsica
UEL 31 LA 71: Entrance set with lever Tasmania	UEL 35 LA 71: Entrance set with lever Lignano
UEL 37 LA 71: Entrance set with lever Verona	UEL 63 LA 71: Entrance set with lever Nice
UEL 64 LA 71: Entrance set with lever Ontario	UEL 66 LA 71: Entrance set with lever Tokio
UEL 71 LA 71: Entrance set with lever Toronto	UEL 72 LA 71: Entrance set with lever Kioto
UEL 69 LA 71: Entrance set with lever Florence	UEL 77 LA 71: Entrance set with lever Athens
UEL 78 LA 71: Entrance set with lever Delphi	UEL 80 LA 71: Entrance set with lever Toledo
UEL 81 LA 71: Entrance set with lever Panama	UEL 72 LA 71: Entrance set with lever Lima
UEL 83 LA 71: Entrance set with lever Brasilia	UEL 72 LA 71: Entrance set with lever Futura

Finish: Satin stainless steel/polished stainless steel

UEL 32 LA 73: Entrance set with lever Babylon	UEL 33 LA 73: Entrance set with lever Kuba
UEL 34 LA 73: Entrance set with lever Rio	UEL 35 LA 73: Entrance set with lever Lignano
UEL 36 LA 73: Entrance set with lever Atlantis	UEL 37 LA 73: Entrance set with lever Verona
UEL 43 LA 73: Entrance set with lever Porto	UEL 44 LA 73: Entrance set with lever Oslo
UEL 64 LA 73: Entrance set with lever Ontario	UEL 65 LA 73: Entrance set with lever New York
UEL 79 LA 73: Entrance set with lever Stockholm	UEL 15E LA 73: Entrance set with lever Venice
UEZ D2 71: Distance ring for UEL 71 and UEL 73	

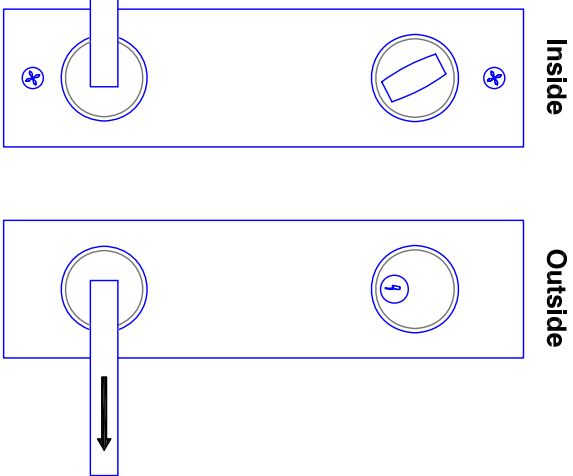
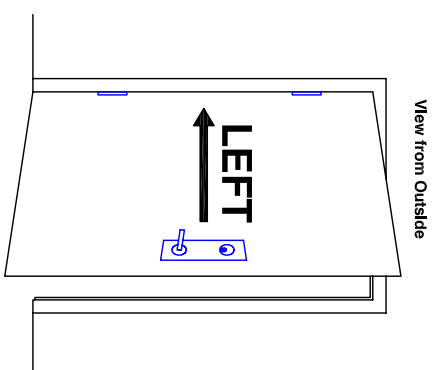
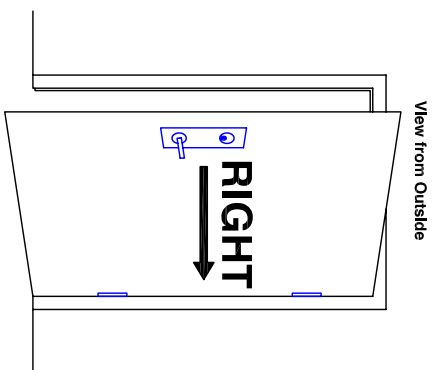
Dimensional detail:



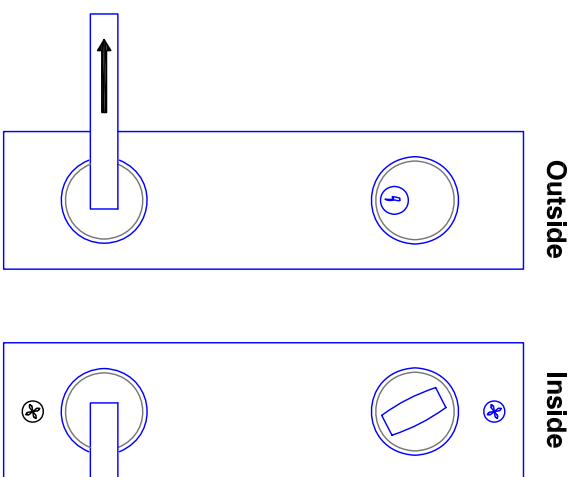
Important Notice: Karcher Design products are designed in the metric System. Therefore metric measures are binding. Therefore inch measure can only be an approximation

Lever on Plate

Handing must be specified for purchase



Option 1
Outside Handle points RIGHT



Option 2
Outside Handle points LEFT

Model Number:	Lever on Plate
Model Description:	Options required for purchase
Prepared Date:	23.October.2009